



**Product Specification****Contents**

<b>No.</b>	<b>Item</b>	<b>Page</b>
<b>0</b>	Record of Revisions	<b>3</b>
<b>1</b>	General Description	<b>4</b>
<b>2</b>	Interface Connection	<b>6</b>
<b>3</b>	Absolute Maximum Ratings	<b>8</b>
<b>4</b>	Electrical Characteristics	<b>9</b>
<b>5</b>	Optical Characteristics	<b>15</b>
<b>6</b>	Mechanical Characteristics	<b>18</b>
<b>7</b>	Color Input Data Reference	<b>19</b>
<b>8</b>	Reliability Test	<b>20</b>
<b>9</b>	Outline Dimension	<b>21</b>
<b>10</b>	International Standard	<b>22</b>
<b>11</b>	Packing	<b>23</b>
<b>12</b>	Precautions	<b>25</b>



**Product Specification**

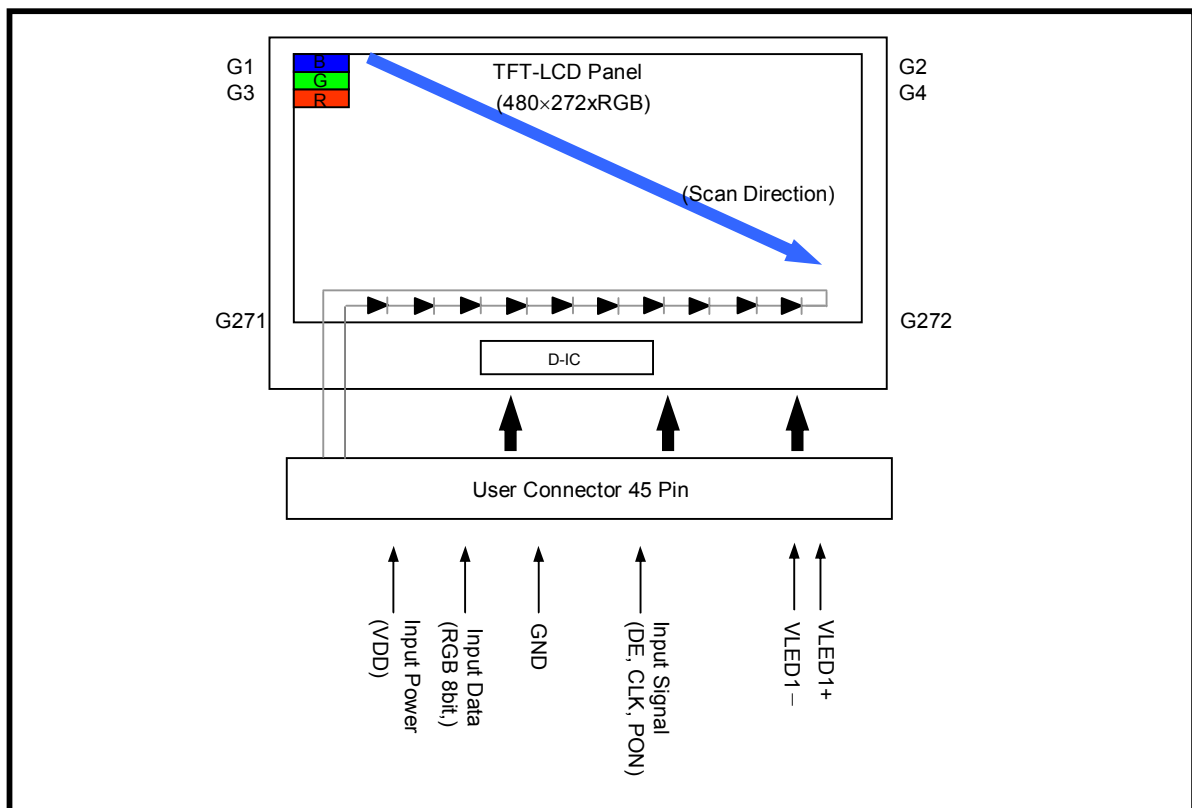
## 1. General Description

### 1-1. Description

The LB043WQ1-TD07 is a **White LED Backlight Assembly** Product of TFT LCD without extra systems. This module utilizes amorphous silicon thin film transistors. A 4.3" active matrix liquid crystal display allows 16M colors to be displayed. The applications are portable DVD, Car Navigation, multimedia applications and others AV system.

### 1-2. Features

- High Brightness & Contrast ratio
- Wide Viewing Angle
- WQVGA(480X272 pixels) resolution
- 8 Bits color depth
- T-Con & Power Block is integrated In D-IC
- Low power consumption
- DE (Data Enable) Only mode – DE, DOTCLK



**Product Specification**
**1-3. General Specification**

PARAMETER	SPECIFICATION	REMARK
Active Screen Size	4.3 inches	Diagonal
Outline Dimension	105.5[H] x 67.2[V] x 2.97[D]	[mm]
Active Area	95.04[H] x 53.856[V]	[mm]
Number of dots	480[H] x 272 x RGB[V]	-
Dot Pitch	0.198 x 0.066	[mm]
Display Mode	TN / Transmissive / Normally White	-
Viewing Direction	6 o'clock	Color Inversion Direction
Color Filter Array	RGB Horizontal Stripe	-
Signal Interface	Digital RGB	-
Weight	50	[g]
Backlight	10LEDs	-

**Product Specification**

## 2. Interface Connections

This LCD employs one interface connection for the operation of module. The pin configuration for the connector is shown in the table below.

### 2-1. Main LCM Connector

(Connector Type: 45Pin 0.5mm pitch, Mating Connector: Hirose FH12 Series )

Pin	Symbol	Description	I/O	Remark
1	VSS	GROUND	I	
2	VSS	GROUND	I	
3	VDD	DIGITAL VOLTAGE	I	Note [2-1]
4	VDD	DIGITAL VOLTAGE	I	
5	R0	RED DATA(LSB)	I	
6	R1	RED DATA	I	
7	R2	RED DATA	I	
8	R3	RED DATA	I	
9	R4	RED DATA	I	
10	R5	RED DATA	I	
11	R6	RED DATA	I	
12	R7	RED DATA(MSB)	I	
13	G0	GREEN DATA(LSB)	I	
14	G1	GREEN DATA	I	
15	G2	GREEN DATA	I	
16	G3	GREEN DATA	I	
17	G4	GREEN DATA	I	
18	G5	GREEN DATA	I	
19	G6	GREEN DATA	I	
20	G7	GREEN DATA(MSB)	I	
21	B0	BLUE DATA(LSB)	I	
22	B1	BLUE DATA	I	
23	B2	BLUE DATA	I	
24	B3	BLUE DATA	I	
25	B4	BLUE DATA	I	
26	B5	BLUE DATA	I	
27	B6	BLUE DATA	I	
28	B7	BLUE DATA(MSB)	I	
29	VSS	GROUND	I	
30	DCLK	DATA CLOCK	I	

**Product Specification**

Pin	Symbol	Description	I/O	Remark
31	PON	DISPLAY ON/OFF	I	
32	NC	NO CONNECT	I	
33	NC	NO CONNECT	I	
34	DE	DATA ENABLE	I	
35	PWRSEL	VDD POWER SELECT	I	High: 3.3V Low : 2.5V
36	VSS	GROUND	I	
37	NC	NO CONNECT	-	
38	NC	NO CONNECT	-	
39	NC	NO CONNECT	-	
40	NC	NO CONNECT	-	
41	VSS	GROUND	I	
42	LED -	LED CATHODE	I	
43	LED +	LED ANODE	I	
44	NC	NO CONNECT	-	
45	NC	NO CONNECT	-	

[Note 2-1] VDD Voltage could be changed by PWRSEL.  
PWRSEL is High → VDD Voltage must be 3.3V  
PWRSEL is Low → VDD Voltage must be 2.5V

**Product Specification**

### 3. Absolute Maximum Ratings

If used the beyond absolute maximum ratings, this device can permanently be damaged.  
 It is strongly recommended to use this device at a condition for normal operation.

Parameter	Symbol	CONDITION	Min	Max	Unit	Notes
Power Supply Voltage	VDD	T <sub>a</sub> =25°C	-0.3	4.6	V	
LED Forward Current	I <sub>f</sub>	T <sub>a</sub> =25°C	-	30	mA	[Note 3-1]
Operating Temperature	T <sub>op</sub>	-	-20	70	°C	[Note 3-2, 3-3]
Storage Temperature	T <sub>st</sub>	-	-30	80	°C	[Note 3-2, 3-3]

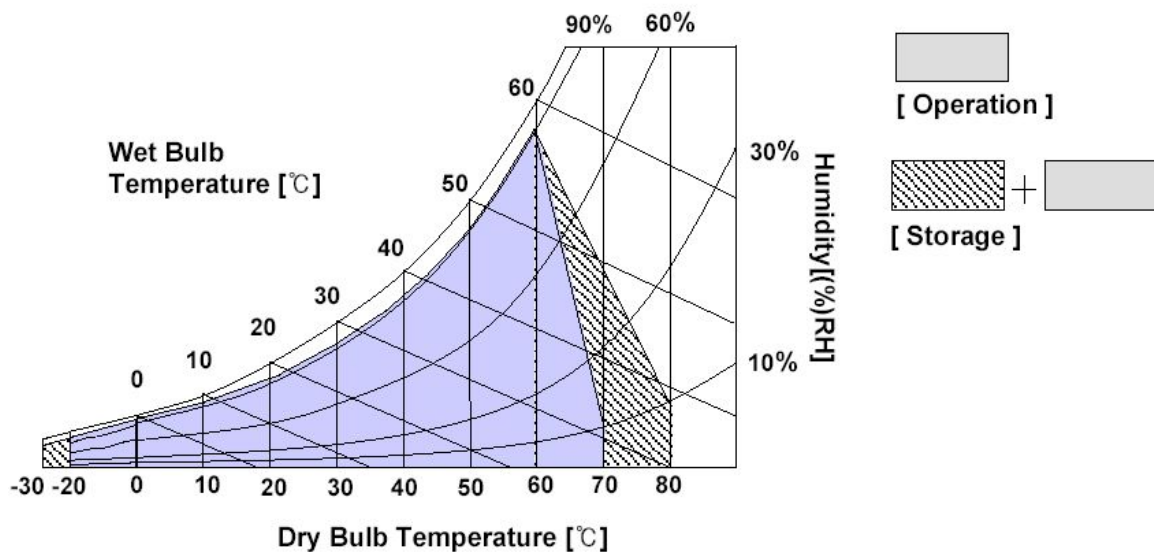
[Note 3-1] Applies for each LED individually

[Note 3-2] If any fixed pattern is displayed on LCD for reliability test, image-sticking phenomenon may occur.

[Note 3-3] Temp. ≤ 60°C, Humidity 90% RH Max

Temp. > 60°C, Absolute humidity shall be less than 90% RH at 60°C.

No condensation > 40 °C





**Product Specification**

**4. Electrical Characteristics**

**4-1. Recommended Operating Conditions**

◆ TFT-LCD Panel Driving Section

( $T_a = 25^\circ C$ )

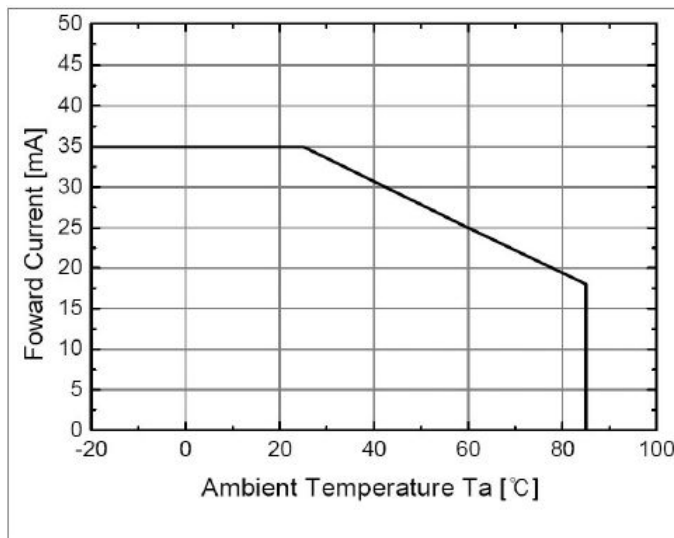
PARAMETER	SYMBOL	MIN.	TYP.	MAX.	UNIT	REMARK
Digital Input Voltage	VDD	2.35	2.5	2.8	V	PWRSEL=0
		3.1	3.3	3.5	V	PWRSEL=1
Frame Frequency	fFRAME		60		Hz	
Dot Clock	fclk		9.2	15.0	MHz	
Power Consumption	-		115	135	mW	White
			135	155	mW	Black

**4-2. Backlight Unit**

( $T_a = 25^\circ C$ )

PARAMETER	SYMBOL	MIN.	TYP.	MAX.	UNIT	REMARK
LED forward Current	$I_f$	-	20	-	mA	[Note4-1]
Power Consumption	$P_{BL}$	-	650	-	mW	

[Note4-1] The permissible forward current of LED vary with environmental temperature.



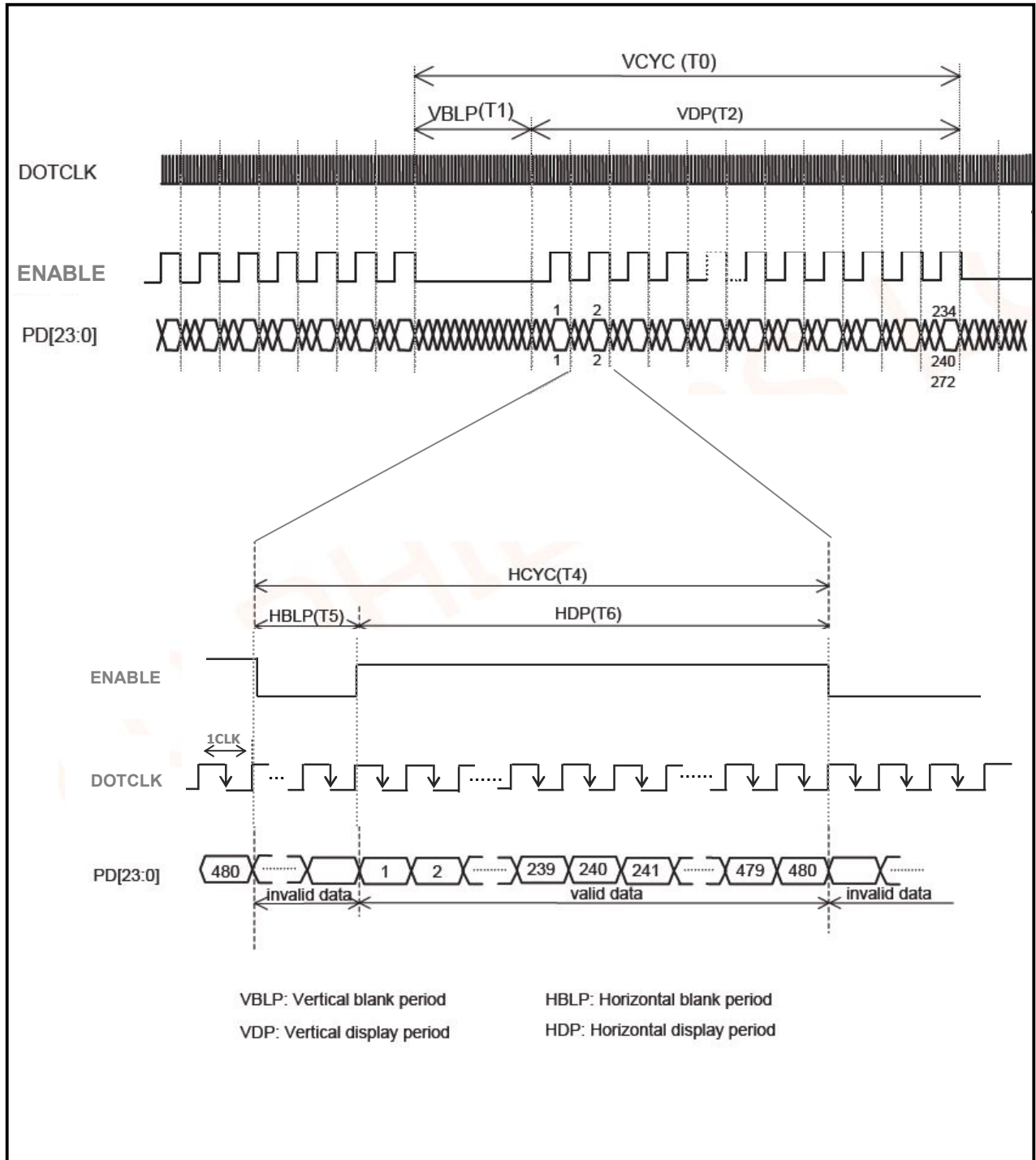
**Product Specification**
**4-3. Timing Characteristics of input signals**
*(T<sub>a</sub> = 25° C)*

PARAMETER	SYMBOL	Min.	Typ.	Max.	Unit	
DOTCLK Cycle	f <sub>DOTCLK</sub>	-	9.2	15.0	MHz	
Frame Frequency	f <sub>FRM</sub>	-	60	70	Hz	
Frame Period	VCYC	277	286	335	H	
Vertical Blank Period	VBLP	5	14	63	H	
Vertical Display Period	VDP	272	272	272	H	
Line Period	HCYC	490	525	605	CLK	
Horizontal Blank Period	HBLP	10	45	125	CLK	[Note4-2]
Horizontal Display Period	HDP	480	480	480	CLK	

[Note4-2] If a driving condition is not in spec, then the LCM could be operate inappropriately.

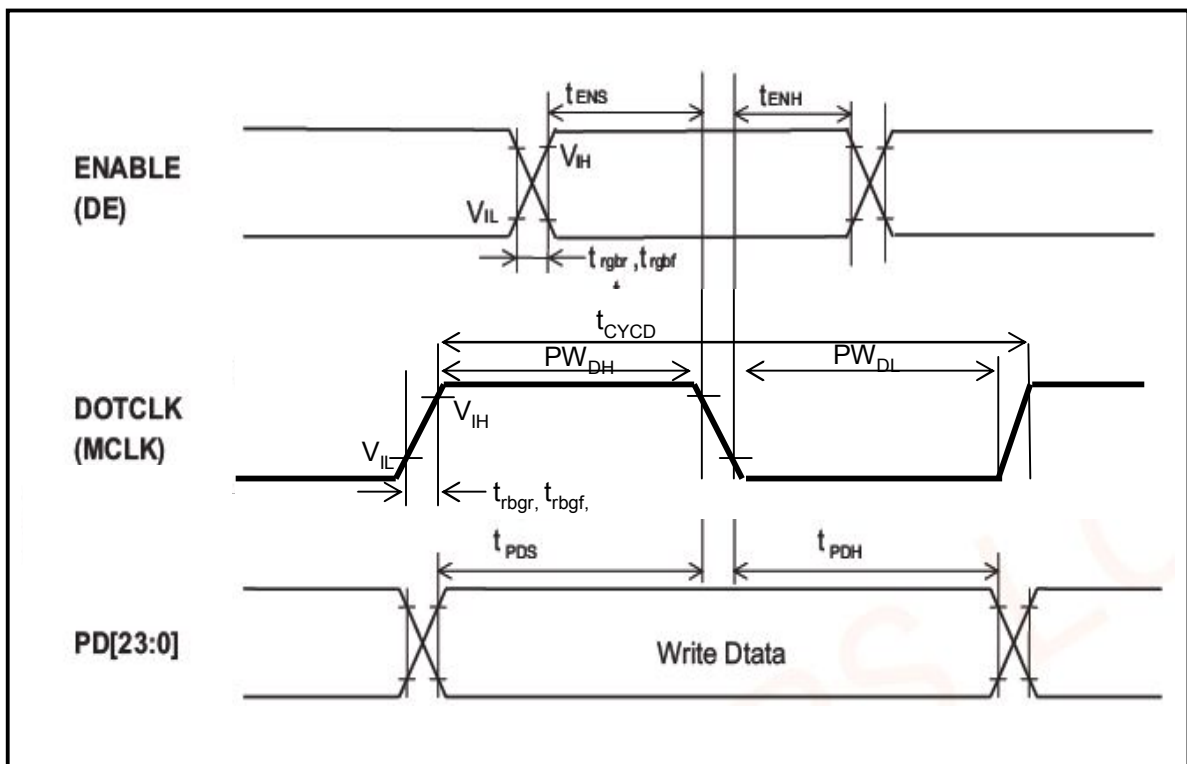
**Product Specification**

**4-4. RGB Data Interface Timing Figure**



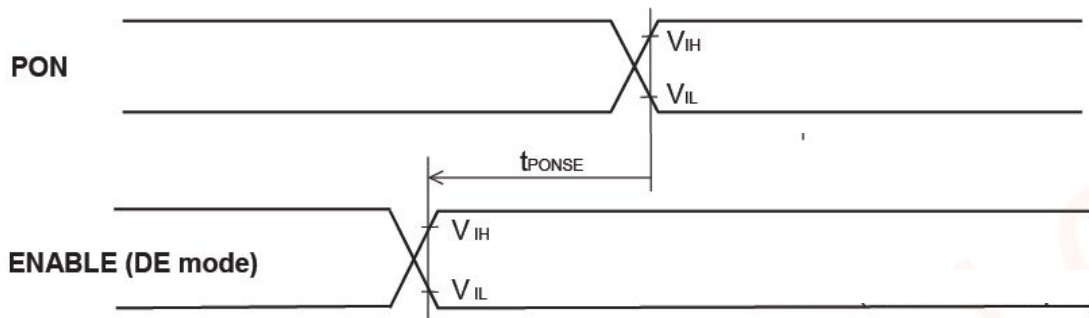
**Product Specification**
**4-5. Clock Synchronized Characteristics**

PARAMETER	SYMBOL	Min.	Typ.	Max.	Unit
Enable(DE) Setup time	$t_{ENS}$	10			ns
Enable(DE) hold time	$t_{ENH}$	10			ns
DOTCLK(MCLK) "Low" level Pulse width	$PW_{DL}$	25			ns
DOTCLK(MCLK) "High" level pulse	$PW_{DH}$	25			ns
DOTCLK(MCLK) cycle time	$t_{CYCD}$	66.7			ns
Data setup time	$t_{PDS}$	10			ns
Data hold time	$t_{PDH}$	10			ns
DOTCLK(MCLK), VSYNC, HSY NC, clock rise/fall time	$t_{rgr}, t_{rgf}$			5	ns



**Product Specification**
**4-6. Pon Timing Characteristics**

Item	Symbol	Min.	Typ.	Max.	Unit
Pon setup (DE mode)	$t_{PONSE}$	-	-	4	Line

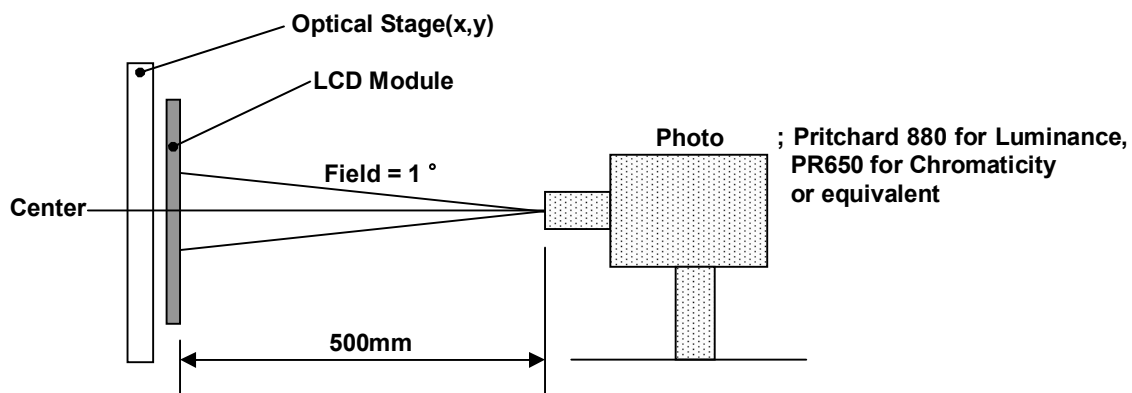




**Product Specification**
**5. Optical Characteristics**
**5-1. TFT LCD Module**
*(T<sub>a</sub> = 25° C)*

PARAMETER		SYMBOL	CONDITION	MIN.	TYP.	MAX.	UNIT	REMARK
Luminance		Y	I <sub>BL</sub> =20mA	280	450		cd/m <sup>2</sup>	
Contrast Ratio		CR	Optimal	200	400	-	-	[Note5-2]
Viewing Angle	Hor.	$\theta_L$	CR > 10	65	70	-	Degrees	[Note5-2] [Note5-3] PR-880
		$\theta_R$		65	70	-		
	Ver.	$\theta_U$		60	65	-		
		$\theta_D$		50	55	-		
Response Time	Rising	T <sub>r</sub> + T <sub>f</sub>	$\theta = 0^\circ$	-	25	35	msec	[Note5-4] PR-880
	Falling							
Color Chromaticity (CIE 1931)		Wx	Center	0.257	0.307	0.357	-	[Note5-1] PR-650
		Wy	Center	0.278	0.328	0.378		
		Rx	Center	0.529	0.579	0.629		
		Ry	Center	0.298	0.348	0.398		
		Gx	Center	0.299	0.349	0.399		
		Gy	Center	0.526	0.576	0.626		
		Bx	Center	0.104	0.154	0.204		
		By	Center	0.068	0.118	0.168		
Luminance Uniformity		U	I <sub>BL</sub> = 20mA	-	1.40	1.60	-	[Note5-5]

▪ Measurement condition : Refer to the below "Test Equipment Set Up" and next page.

**[Test Equipment Set Up]**


- Measuring Condition ;
  - Measuring surroundings : Dark Room
  - Measuring temperature : T<sub>a</sub>=25° C
  - Adjust operating voltage to get optimum contrast at the center of the display.
  - Measured value at the center point of LCD panel after more than 5 minutes while backlight turning on.

**Product Specification**

**[Note 5-1]**

Measured on the center area of the panel by PHOTO RESEARCH photometer PR-880&PR650 or Equivalent

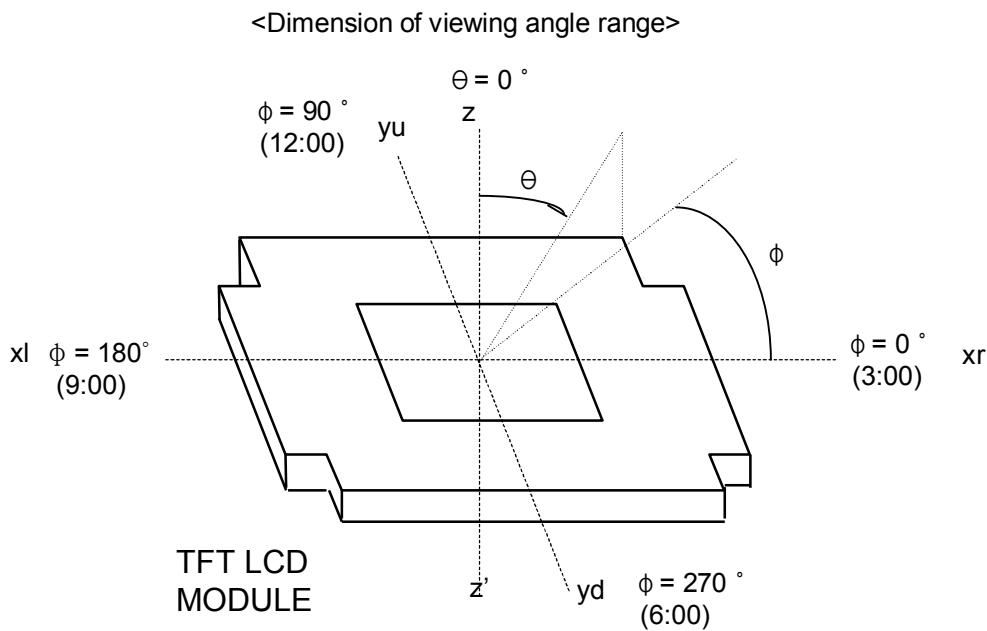
**[Note 5-2]**

Contrast ratio is defined as follows ;

$$\text{Contrast Ratio(CR)} = \frac{\text{Photo detector output with LCD being "white"}}{\text{Photo detector output with LCD being "black"}}$$

**[Note 5-3]**

Viewing angle range is defined as follows [PR-880];







**Product Specification**
**6. Mechanical Characteristics**

Parameter	Specification		Unit	Notes
Outline Dimension	Horizontal	105.5(± 0.2)	mm	
	Vertical	67.2(± 0.2)	mm	
	Depth	2.97 ± (0.2)	mm	
Active Display Area	Horizontal	95.04	mm	
	Vertical	53.856	mm	
Weight	50		g	
Surface Treatment	Anti-Glare Treatment		-	

**Product Specification**
**7. Color Input Data Reference**

Colors & Gray Scale	Gray Scale Levels	Data Signal																											
		RED							GREEN							BLUE													
		R0	R1	R2	R3	R4	R5	R6	R7	G0	G1	G2	G3	G4	G5	G6	G7	B0	B1	B2	B3	B4	B5	B6	B7				
Black	--	0	0	0	0	0	0	0	0	0	0	0	0	0	0	0	0	0	0	0	0	0	0	0	0	0	0	0	
Blue	--	0	0	0	0	0	0	0	0	0	0	0	0	0	0	0	0	1	1	1	1	1	1	1	1	1	1	1	
Green	--	0	0	0	0	0	0	0	0	1	1	1	1	1	1	1	1	0	0	0	0	0	0	0	0	0	0	0	
Cyan	--	0	0	0	0	0	0	0	0	1	1	1	1	1	1	1	1	1	1	1	1	1	1	1	1	1	1	1	
Red	--	1	1	1	1	1	1	1	1	0	0	0	0	0	0	0	0	0	0	0	0	0	0	0	0	0	0	0	
Magenta	--	1	1	1	1	1	1	1	1	0	0	0	0	0	0	0	0	1	1	1	1	1	1	1	1	1	1	1	
Yellow	--	1	1	1	1	1	1	1	1	1	1	1	1	1	1	1	1	0	0	0	0	0	0	0	0	0	0	0	
White	--	1	1	1	1	1	1	1	1	1	1	1	1	1	1	1	1	1	1	1	1	1	1	1	1	1	1	1	
Black	R0	0	0	0	0	0	0	0	0	0	0	0	0	0	0	0	0	0	0	0	0	0	0	0	0	0	0	0	
Darker	R1	1	0	0	0	0	0	0	0	0	0	0	0	0	0	0	0	0	0	0	0	0	0	0	0	0	0	0	
	R2	0	1	0	0	0	0	0	0	0	0	0	0	0	0	0	0	0	0	0	0	0	0	0	0	0	0	0	
		:	:	:	:	:	:	:	:	:	:	:	:	:	:	:	:	:	:	:	:	:	:	:	:	:	:	:	:
Brighter		:	:	:	:	:	:	:	:	:	:	:	:	:	:	:	:	:	:	:	:	:	:	:	:	:	:	:	
	R253	1	0	1	1	1	1	1	1	0	0	0	0	0	0	0	0	0	0	0	0	0	0	0	0	0	0	0	
	R254	0	1	1	1	1	1	1	1	0	0	0	0	0	0	0	0	0	0	0	0	0	0	0	0	0	0	0	
Red	R255	1	1	1	1	1	1	1	1	0	0	0	0	0	0	0	0	0	0	0	0	0	0	0	0	0	0	0	
Black	G0	0	0	0	0	0	0	0	0	0	0	0	0	0	0	0	0	0	0	0	0	0	0	0	0	0	0	0	
Darker	G1	0	0	0	0	0	0	0	0	1	0	0	0	0	0	0	0	0	0	0	0	0	0	0	0	0	0	0	
	G2	0	0	0	0	0	0	0	0	0	1	0	0	0	0	0	0	0	0	0	0	0	0	0	0	0	0	0	
		:	:	:	:	:	:	:	:	:	:	:	:	:	:	:	:	:	:	:	:	:	:	:	:	:	:	:	:
Brighter		:	:	:	:	:	:	:	:	:	:	:	:	:	:	:	:	:	:	:	:	:	:	:	:	:	:	:	
	G253	0	0	0	0	0	0	0	0	1	0	1	1	1	1	1	1	0	0	0	0	0	0	0	0	0	0	0	
	G254	0	0	0	0	0	0	0	0	0	1	1	1	1	1	1	1	0	0	0	0	0	0	0	0	0	0	0	
Green	G255	0	0	0	0	0	0	0	0	1	1	1	1	1	1	1	1	0	0	0	0	0	0	0	0	0	0	0	
Black	B0	0	0	0	0	0	0	0	0	0	0	0	0	0	0	0	0	0	0	0	0	0	0	0	0	0	0	0	
Darker	B1	0	0	0	0	0	0	0	0	0	0	0	0	0	0	0	0	1	0	0	0	0	0	0	0	0	0	0	
	B2	0	0	0	0	0	0	0	0	0	0	0	0	0	0	0	0	0	1	0	0	0	0	0	0	0	0	0	
		:	:	:	:	:	:	:	:	:	:	:	:	:	:	:	:	:	:	:	:	:	:	:	:	:	:	:	:
Brighter		:	:	:	:	:	:	:	:	:	:	:	:	:	:	:	:	:	:	:	:	:	:	:	:	:	:	:	
	B253	0	0	0	0	0	0	0	0	0	0	0	0	0	0	0	0	1	0	1	1	1	1	1	1	1	1	1	
	B254	0	0	0	0	0	0	0	0	0	0	0	0	0	0	0	0	0	1	1	1	1	1	1	1	1	1	1	
Blue	B255	0	0	0	0	0	0	0	0	0	0	0	0	0	0	0	0	1	1	1	1	1	1	1	1	1	1	1	

**Product Specification**
**8. Reliability Test**
**8-1. TFT LCD Module**

NO	TEST ITEMS	CONDITION	REMARK
1	High Temperature Storage Test	T <sub>a</sub> = 80℃ 240h	-
2	Low Temperature Storage Test	T <sub>a</sub> = -30℃ 240h	-
3	High Temperature Operation Test	T <sub>a</sub> = 70℃ 240h	-
4	Low Temperature Operation Test	T <sub>a</sub> = -20℃ 240h	-
5	High Temperature and High Humidity Operation Test	T <sub>a</sub> = 60℃ 90%RH 240h	-
6	Packing Shock	1 corner, 3edge, 6face/76cm Drop	Packing
7	Packing Vibration	Random 1.5Grms Z direction 60min	Packing
8	Thermal Shock Test	-30℃(0.5h) ~ 80℃(0.5h) / 100 cycles	-

**[Note]**

T<sub>a</sub> = Ambient Temperature

In the standard condition, there shall be no practical problems that may affect the display function.

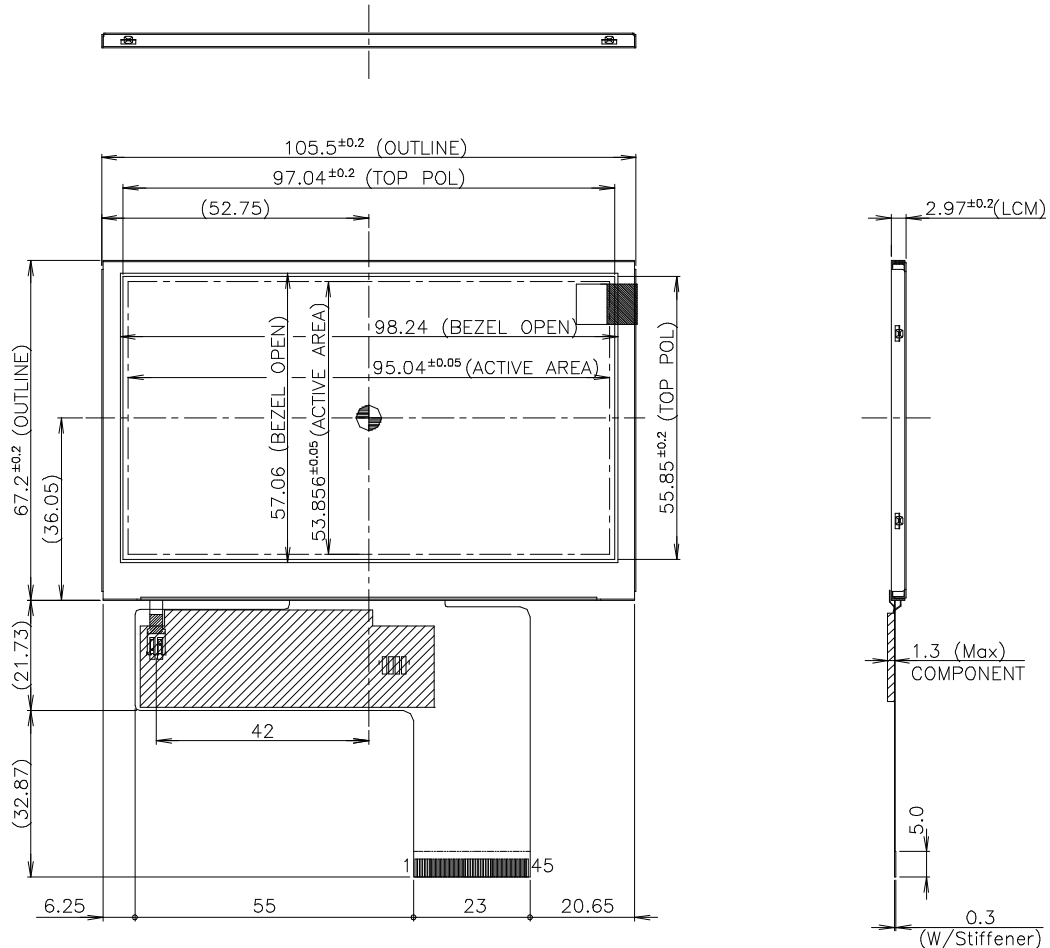
**Result Evaluation Criteria**

TFT-LCD panel should be at room temperature for 2 hours when the display quality test is over. There should be no particular change which might affect the practical display function.

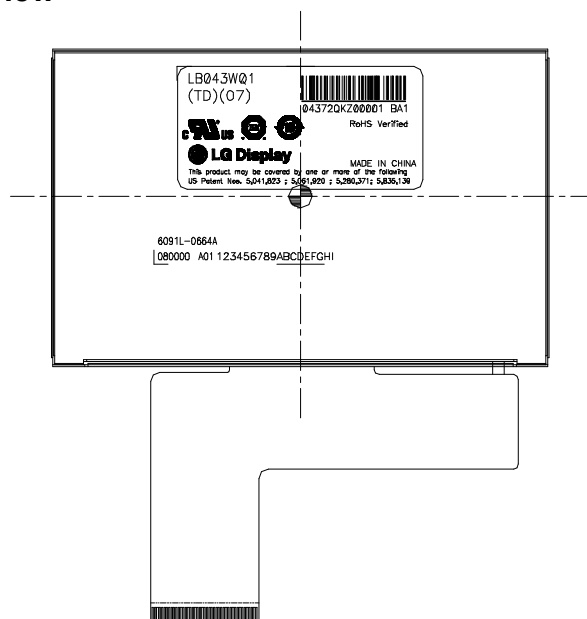
**Product Specification**

**9. Outline Dimension**

**9-1. Front View**



**9-2. Rear View**



**Product Specification****10. International Standards****10-1. Safety**

- a) UL 60950, Third Edition, Underwriters Laboratories, Inc., Dated Dec. 11, 2000.  
Standard for Safety of Information Technology Equipment, Including Electrical Business Equipment.
- b) CAN/CSA C22.2, No. 60950, Third Edition, Canadian Standards Association, Dec. 1, 2000.  
Standard for Safety of Information Technology Equipment, Including Electrical Business Equipment.
- c) EN 60950 : 2000, Third Edition  
IEC 60950 : 1999, Third Edition  
European Committee for Electrotechnical Standardization(CENELEC)  
EUROPEAN STANDARD for Safety of Information Technology Equipment Including Electrical Business Equipment.

**10-2. EMC**

- a) ANSI C63.4 "Methods of Measurement of Radio-Noise Emissions from Low-Voltage Electrical and Electrical Equipment in the Range of 9kHz to 40GHz. "American National Standards Institute(ANSI), 1992
- b) C.I.S.P.R. "Limits and Methods of Measurement of Radio Interface Characteristics of Information Technology Equipment." International Special Committee on Radio Interference.
- c) EN 55022 "Limits and Methods of Measurement of Radio Interface Characteristics of Information Technology Equipment." European Committee for Electrotechnical Standardization.(CENELEC), 1998 ( Including A1: 2000 )

**Product Specification**
**11. Packing**
**11-1. Designation of Lot Mark**

a) Lot Mark

A	B	C	D	E	F	G	H	I	J	K	L	M
---	---	---	---	---	---	---	---	---	---	---	---	---

A,B,C : SIZE(INCH)

E : MONTH

D : YEAR

F ~ M : SERIAL NO.

Note

**1. YEAR**

Year	2001	2002	2003	2004	2005	2006	2007	2008	2009	2010
	2011	2012	2013	2014	2015	2016	2017	2018	2019	2020
Mark	1	2	3	4	5	6	7	8	9	0

**2. MONTH**

Month	Jan	Feb	Mar	Apr	May	Jun	Jul	Aug	Sep	Oct	Nov	Dec
Mark	1	2	3	4	5	6	7	8	9	A	B	C

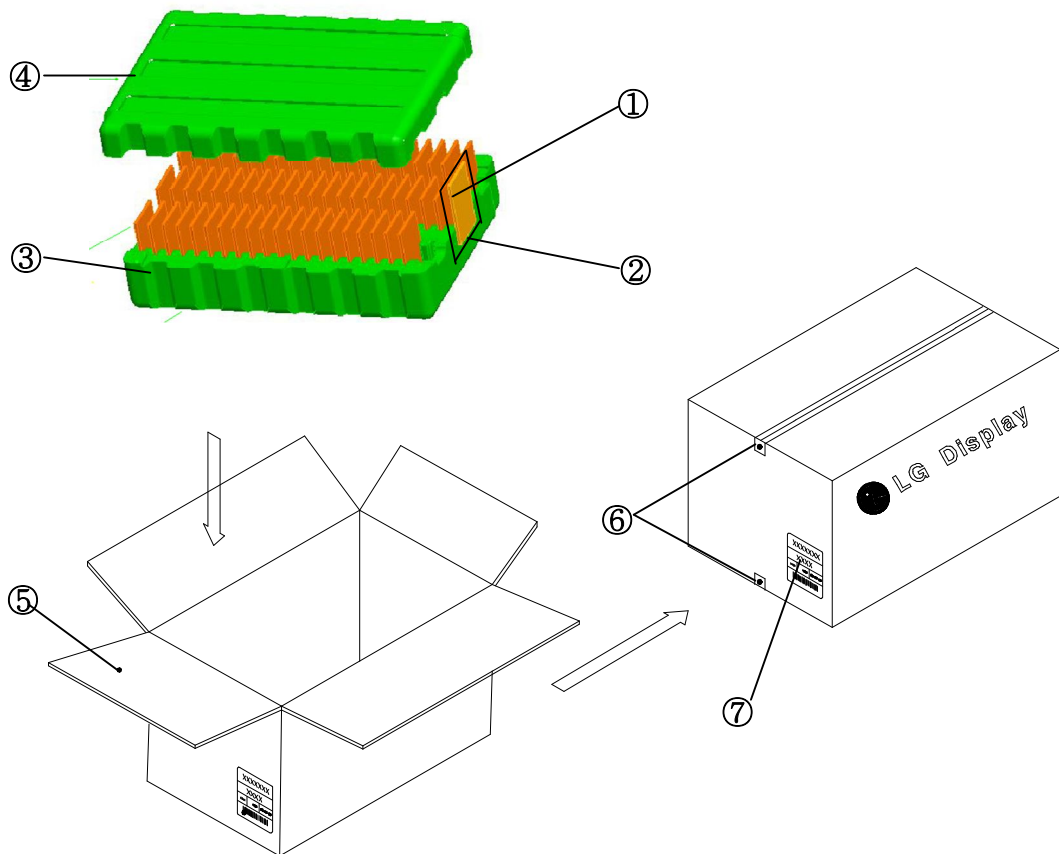
b) Location of Lot Mark

Serial NO. is printed on the label. The label is attached to the front side of assembly.  
 This is subject to change without prior notice.

**11-2. Packing Form**

a) Package quantity in one box :63 pcs

b) Box Size : 475x348x175 (mm)

**Product Specification**
**11-3. Method of Package**


NO	Description	Material
1	Module	63pcs/1Box
2	BAG	PE
3	Packing, Bottom	EPS
4	Packing, Top	EPS
5	Carton Box	SWR4
6	Tape	OPP 70MMx300m
7	Label	YUPO Paper 100x70



## Product Specification

### 12. Precautions

Please pay attention to the following when you use this TFT LCD module.

#### 12-1. Mounting Precautions

- (1) You should consider the mounting structure so that uneven force(ex. Twisted stress) is not applied to the module.  
And the case on which a module is mounted should have sufficient strength so that external force is not transmitted directly to the module.
- (2) Please attach a transparent protective plate to the surface in order to protect the polarizer.  
Transparent protective plate should have sufficient strength in order to resist external force.
- (3) You should adopt radiation structure to satisfy the temperature specification.
- (4) Acetic acid type and chlorine type materials for the cover case are not desirable because the former generates corrosive gas of attacking the polarizer at high temperature and the latter causes circuit break by electro-chemical reaction.
- (5) Do not touch, push or rub the exposed polarizers with glass, tweezers or anything harder than HB pencil lead. And please do not rub with dust clothes with chemical treatment.  
Do not touch the surface of polarizer for bare hand or greasy cloth.(Some cosmetics deteriorate the polarizer.)
- (6) When the surface becomes dusty, please wipe gently with absorbent cotton or other soft materials like chamois soaks with petroleum benzine. Normal-hexane is recommended for cleaning the adhesives used to attach front / rear polarizers. Do not use acetone, toluene and alcohol because they cause chemical damage to the polarizer.
- (7) Wipe off saliva or water drops as soon as possible. Their long time contact with polarizer causes deformations and color fading.
- (8) The metal case of a module should be contacted to electrical ground of your system.

#### 12-2. Operating Precautions

- (1) The spike noise causes the mis-operation of circuits. It should be lower than following voltage :  
 $V = \pm 200\text{mV}$ (Over and under shoot voltage)
- (2) Response time depends on the temperature.(In lower temperature, it becomes longer.)
- (3) Brightness depends on the temperature. (In lower temperature, it becomes lower.)  
And in lower temperature, response time(required time that brightness is stable after turned on) becomes longer.
- (4) Be careful for condensation at sudden temperature change. Condensation makes damage to polarizer or electrical contacted parts. And after fading condensation, smear or spot will occur.
- (5) When fixed patterns are displayed for a long time, remnant image is likely to occur.
- (6) Module has high frequency circuits. Sufficient suppression to the electromagnetic interference shall be done by system manufacturers. Grounding and shielding methods may be important to minimize the interference.

## Product Specification

### 12-3. Electrostatic Discharge Control

Since a module is composed of electronic circuits, it is not strong to electrostatic discharge. Make certain that treatment persons are connected to ground through wrist band etc. And don't touch interface pin directly.

### 12-4. Precautions for Strong Light Exposure

Strong light exposure causes degradation of polarizer and color filter.

### 12-5. Storage

When storing modules as spares for a long time, the following precautions are necessary.

- (1) Store them in a dark place. Do not expose the module to sunlight or fluorescent light. Keep the temperature between 5°C and 35°C at normal humidity.
- (2) The polarizer surface should not come in contact with any other object.  
It is recommended that they be stored in the container in which they were shipped.

### 12-6. Handling Precautions for Protection Film

- (1) When the protection film is peeled off, static electricity is generated between the film and polarizer.  
This should be peeled off slowly and carefully by people who are electrically grounded and with well ion-blown equipment or in such a condition, etc.
- (2) The protection film is attached to the polarizer with a small amount of glue. If some stress is applied to rub the protection film against the polarizer during the time you peel off the film, the glue is apt to remain on the polarizer.  
Please carefully peel off the protection film without rubbing it against the polarizer.
- (3) When the module with protection film attached is stored for a long time, sometimes there remains a very small amount of glue still on the polarizer after the protection film is peeled off.
- (4) You can remove the glue easily. When the glue remains on the polarizer surface or its vestige is recognized, please wipe them off with absorbent cotton waste or other soft material like chamois soaked with normal-hexane.